

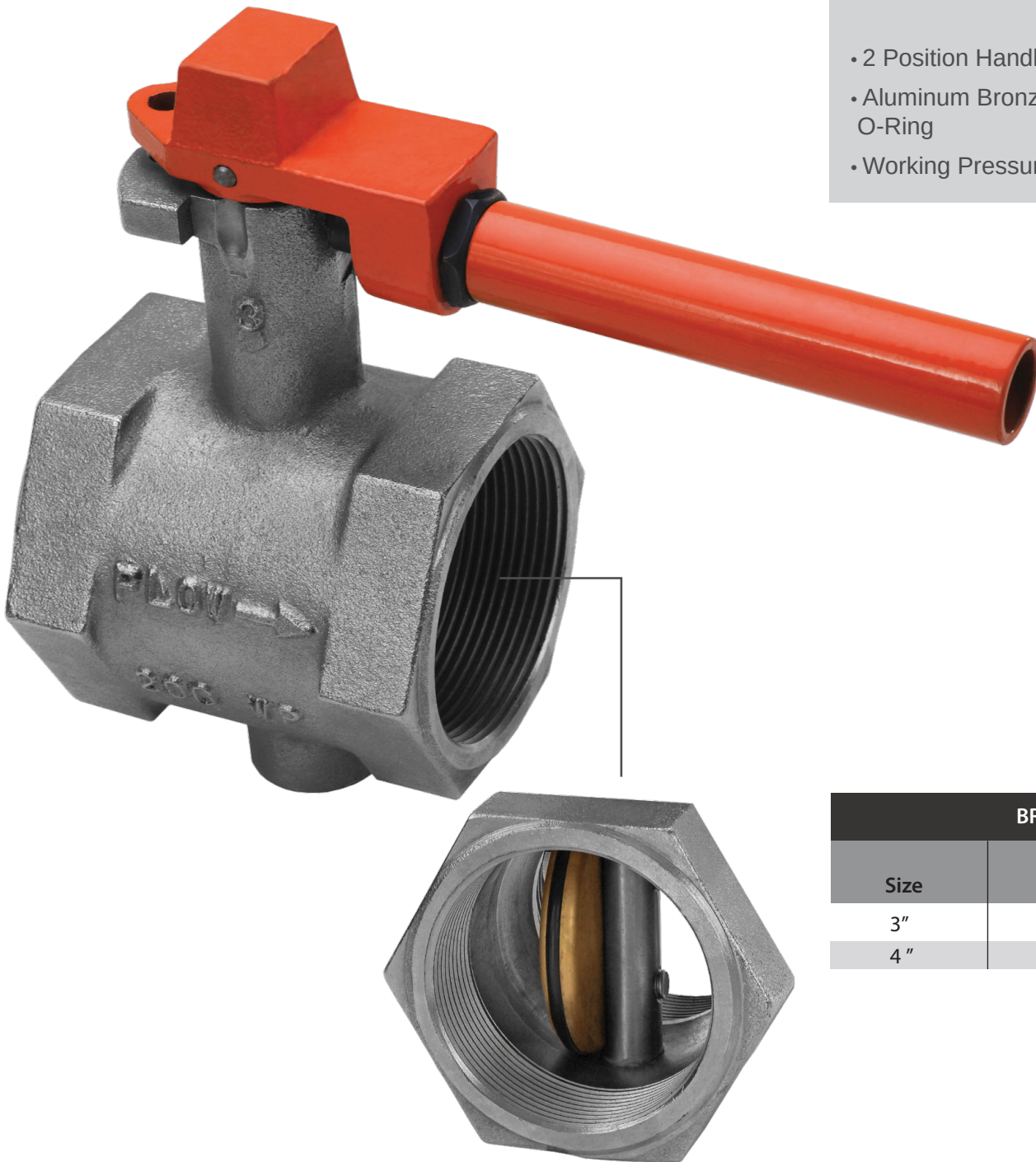


VALVES

SCREW END BUTTERFLY - DUCTILE IRON

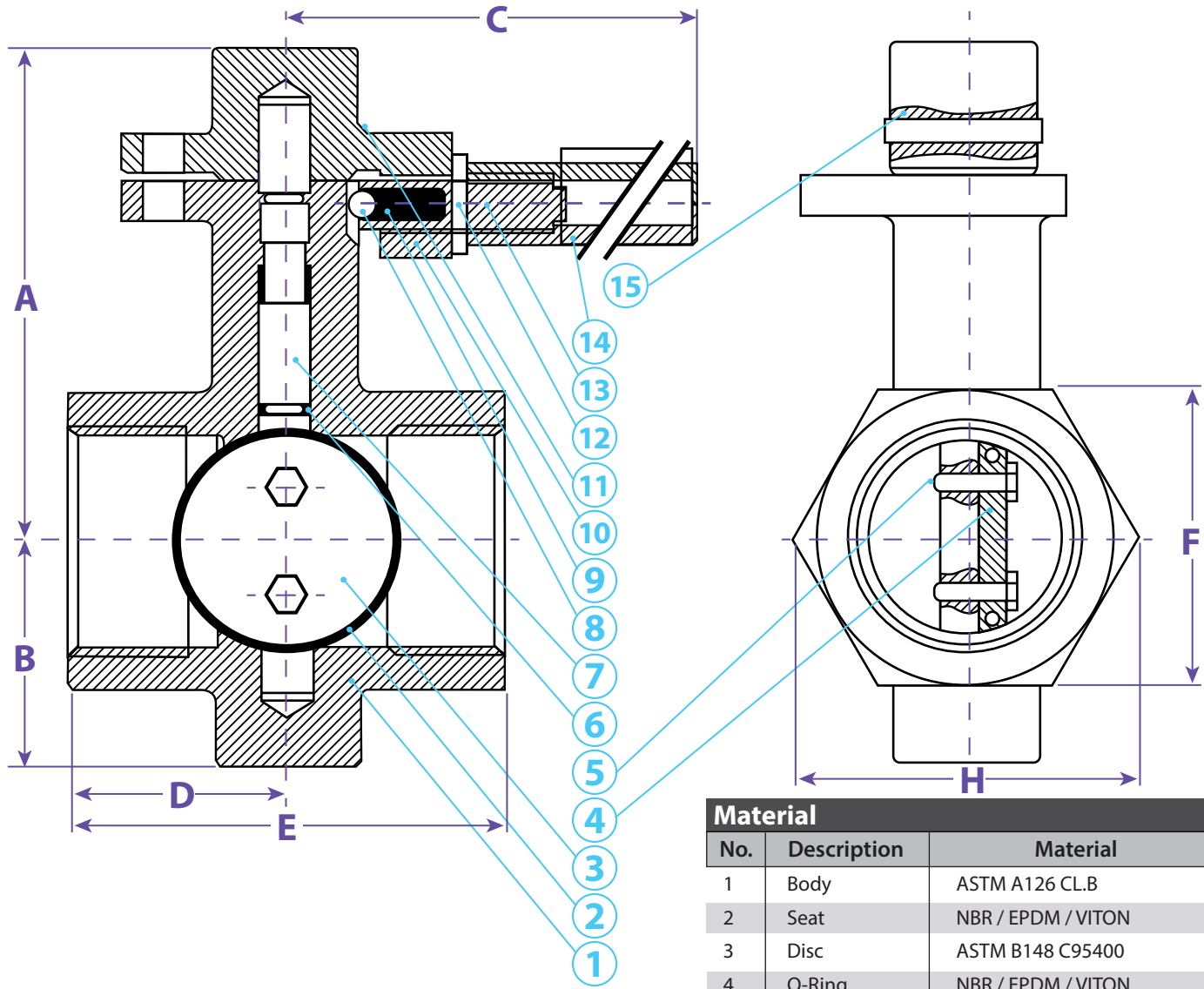
FEATURES & APPLICATIONS:

- 2 Position Handle
- Aluminum Bronze Disc w/Buna N O-Ring
- Working Pressure:200 PSI



BRASS

Size	Part #
3"	SV3
4"	SV4



Dimensions								
Size	A	B	C	D	E	F	H	Part #
3"	6.02	2.75	8	2.43	4.87	4.06	4.69	SV 3
4"	6.34	3.69	8	2.56	5.12	5.31	6.13	SV 4

Material		
No.	Description	Material
1	Body	ASTM A126 CL.B
2	Seat	NBR / EPDM / VITON
3	Disc	ASTM B148 C95400
4	O-Ring	NBR / EPDM / VITON
5	Bolts	ASTM A582 UNS41600
6	O-Ring	NBR / EPDM / VITON
7	Shaft	ASTM A582 UNS41600
8	Ball	Bear Steel
9	Spring	Spring Steel
10	Lever	ASTM A536 65-45-12
11	Name Plate	Brass
12	Lock Nut	Steel
13	Sleeve Joint	Steel
14	Opening Bar	Steel
15	Taper Pin	Steel

TITLE SCREW END BUTTERFLY VALVE	
<p>DISCLAIMER All drawings and specifications are subject to change without notice. Drawings represent general dimensions of our products. Seal Fast Inc. cannot guarantee the dimensions will exactly match those in the drawing. The drawing is the property of Seal Fast Inc. Copying or reproduction of this drawing is expressly prohibited.</p>	<p>MATERIAL DUCTILE IRON</p>
DRAWING NOT TO SCALE	PART # SV.